

DH-SD6C3425XB-HNR-A-PV1

4 MP 25x Starlight IR WizSense Network PTZ Camera



Wiz Sense

- 1/2.8" 4Megapixel STARVIS™ CMOS
- Powerful 25x optical zoom
- Starlight technology
- IR distance up to 150 m
- Perimeter protection
- Face detection
- Metadata
- Full-color illuminator; red and blue warning light
- IP66
- Smart dual illuminators (Recommended to use within 50 m)



Launched by Dahua Technology, Dahua WizMind is a full portfolio of solutions composed of project-oriented products including IPC, NVR, PTZ, XVR, Thermal and software platform which adopts industry-leading deep learning algorithms. Focusing on customer's requirements, WizMind provides precise, reliable and comprehensive AI solutions for industry verticals.

System Overview

Dahua PTZ WizMind network camera adopts advanced CNN deep learning algorithms to support face recognition with high accuracy. This camera possess wide monitor range, PFA algorithm that can always present a clear, focused image while zooming, and smart wiper technology that supported by RainSensor.

Functions

Starlight Technology

For challenging low-light applications, Dahua's Starlight Ultra-low Light Technology offers best-in-class light sensitivity, capturing color details in low light down to 0.005 Lux. The camera uses a set of optical features to balance light throughout the scene, resulting in clear images in dark environments.

Perimeter Protection

Automatically filters out false alarms caused by animals, rustling leaves, bright lights, etc. Enables system to act secondary recognition for the targets. Improves alarm accuracy.

Smart Capture

Supports human face, human body, motor vehicle and non-motor vehicle image capture. It also supports optimization, taking snapshots and generating optimal snapshot reports.

Face Detection

6 attributes and 8 expressions: Gender, age, glasses, expressions (anger, sadness, disgust, fear, surprise, calm, happiness and confusion), mask, beard. Face cutout setting: Face, single inch photo. Three snapshot methods: Real-time snapshot, priority snapshot, and quality priority.

PFA Technology

PFA technology has innovatively introduced new methods of judgment to ensure the accuracy and predictability of the direction of subject distance adjustment. The result is a set of advanced focusing algorithms. PFA ensures clarity of the image throughout the process of zooming and shortens focus time. The realization of PFA technology substantially improves user experience and increases product value.

Sound and Light Alarm

The camera supports sound and light alarm. When the alarm is triggered, the camera links sound alarm and red and blue light warning, to realize the deterrence and effective intervention. It also supports customized voice importing.

Technical Specification

Camera

| | |
|--------------------------|--|
| Image Sensor | 1/2.8" CMOS |
| Pixel | 4 MP |
| Max. Resolution | 2560 (H) × 1440 (V) |
| Electronic Shutter Speed | 1/1 s–1/30,000 s |
| ROM | 4 GB |
| RAM | 1 GB |
| Min. Illumination | Color: 0.005 lux@F1.6 B/W: 0.0005 lux@F1.6 0 lux (IR light on) |
| Illumination Distance | 150 m (492.13 ft) (IR) 50 m (164.04 ft) (white light) |
| Illuminator Number | 2 (IR light) 2 (dual light fusion) |

Lens

| | | | | |
|----------------------|--|-----------------------|-----------------------|----------------------|
| Focal Length | 4.8 mm–120 mm | | | |
| Max. Aperture | F1.6–F3.5 | | | |
| Field of View | H: 55.8°–2.9°; V: 31.6°–1.6° ; D: 63.7°–3.3° | | | |
| Optical Zoom | 25× | | | |
| Focus Control | Auto; semi-auto; manual | | | |
| Close Focus Distance | 0.8 m–5.0 m (2.62 ft–16.40 ft) | | | |
| Iris Control | Auto; manual | | | |
| DORI Distance | Detect | Observe | Recognize | Identify |
| | 1,655 m (5429.79 ft) | 653 m (2142.39 ft) | 331 m (1085.96 ft) | 165 m (541.34 ft) |

PTZ

| | |
|----------------------|---|
| Pan/Tilt Range | Pan: 0° to 360° endless Tilt: –20° to +90°, auto flip 180° |
| Manual Control Speed | Pan: 0.1°–160°/s; Tilt: 0.1°–60°/s" |
| Preset Speed | Pan: 240°/s; Tilt: 150°/s |
| Preset | 300 |
| Tour | 8 (up to 32 presets per tour) |
| Pattern | 5 |
| Scan | 5 |
| Power-off Memory | Yes |
| Idle Motion | Preset; Tour; Pattern; Scanning |
| Protocol | DH-SD Pelco-P/D (auto recognition) |

Intelligence

| | |
|----------------------------|---|
| Video Metadata | Motor vehicle, non-motor vehicle, face, human body detection; optimization; capturing pictures; uploading high-quality face snapshots |
| IVS (Perimeter Protection) | Tripwire; intrusion; climbing fences; loitering detection; abandoned/missing object; fast moving; parking detection; people gathering; vehicle/human alarm classification; linkage tracking |

| | |
|----------------|-----|
| Face Detection | Yes |
| SMD | Yes |
| Auto Tracking | Yes |

Video

| | |
|--------------------------|---|
| Video Compression | Smart H.265+; H.265; Smart H.264+; H.264B; H.264H; MJPEG |
| Streaming Capability | 3 streams |
| Resolution | 4M (2560 × 1440); 3M (2048 × 1536); 1080p (1920 × 1080); 1.3M (1280 × 960); 720p (1280 × 720); D1 (704 × 576); CIF (352 × 288) |
| Video Frame Rate | Main stream: 4M/3M/1080p/1.3M/720p (1–50/60 fps) Sub stream 1: D1/CIF (1–25/30 fps) Sub stream 2: 1080p/1.3M/720p (1–25/30 fps) |
| Bit Rate Control | CBR/VBR |
| Video Bit Rate | Default resolution of the main stream: H264: 2816–8192 kbps H265: 1024–7936 kbps |
| Day/Night | Auto (ICR); Color; B/W |
| BLC | Yes |
| WDR | Yes |
| HLC | Yes |
| White Balance | Auto; manual; tracking; indoor; outdoor; outdoor auto; sodium lamp; sodium lamp auto |
| Gain Control | Auto; manual |
| Noise Reduction | 2D NR; 3D NR |
| Motion Detection | Yes |
| Region of Interest (RoI) | Yes |
| Image Stabilization | Optical |
| Defog | Electric |
| Digital Zoom | 16× |
| Privacy Masking | Up to 24 areas can be set, with up to 8 areas in the same view; supports multiple colors and mosaic blocks |
| S/N Ratio | ≥55dB |

Audio

| | |
|-------------------|--|
| Audio Compression | G.711a; G.711Mu; G.726; G722.1; G.729; MPEG2-Layer2; G723; PCM |
|-------------------|--|

Network

| | |
|------------------|---|
| Network Port | RJ-45 (10/100 Base-T) |
| Network Protocol | HTTP; HTTPS; TCP/IP; IPv4; RTSP; UDP; SMTP; NTP; DHCP; DNS; DDNS; IPv6; 802.1x; SSL; Qos; FTP; UPnP; ICMP; SNMP; SNMPv1/v2c/v3(MIB-2); IGMP; ARP; RTCP; RTP; PPPoE; IP Filter; RTMP; Bonjour; TCP; SMB; NFS |
| User/Host | 20 (total bandwidth: 64 MB) |
| Interoperability | ONVIF Profile S&G&T |
| Storage | FTP; Micro SD card (256 GB); NAS |
| Browser | IE7 and later versions Chrome 42 and earlier versions Firefox 52 and earlier versions Safari |

| | |
|---------------------|--|
| Management Software | Smart PSS; DSS; DMSS; Easy4ip; IVSS; player; configtool; NVR; Smart Player |
| Mobile Client | IOS; Android; iPhone; iPad; Windows Phone |

Certifications

| | |
|----------------|--|
| Certifications | CE: EN55032/EN55024/EN50130-4 FCC: Part15 subpartB, ANSI C63.4-2014 |
|----------------|--|

Port

| | |
|---------------|--|
| Audio Input | 1 (LINE IN; bare wire) |
| Audio Output | 1 (LINE OUT; bare wire) |
| Two-way Audio | Yes |
| Alarm Input | 2-ch, digital input (0-5 VDC) |
| Alarm Output | 1-ch |
| Alarm Linkage | Capture; preset; tour; pattern; recording; alarm digital input; send email |
| Alarm Event | Motion/tampering detection; audio detection; network disconnection detection; IP conflict detection; memory card state detection; memory space detection |

Power

| | |
|-------------------|--|
| Power Supply | 24 VDC/2.5 A ± 25% (included) PoE+ (802.3at) |
| Power Consumption | Basic: 13 W Max.: 23 W (illuminator+red and blue warning light+speaker+PTZ working) |

Environment

| | |
|-----------------------|---|
| Operating Temperature | -40 °C to +70 °C (-40 °F to +158 °F) |
| Operating Humidity | ≤95% |
| Protection | IP66, TVS 6000V lightning proof; surge protection; voltage transient protection |

Structure

| | |
|--------------------|--|
| Casing | ADC12 |
| Product Dimensions | 325.3 mm × Φ202.0 mm (12.81" × Φ7.95") (H × D) |
| Net Weight | 4.6 kg (10.14 lb) |
| Gross Weight | 9.1 kg (20.06 lb) |

Ordering Information

| Type | Part Number | Description |
|-----------------------|-------------------------|---|
| 4M WizMind PTZ Camera | DH-SD6C3425XB-HNR-A-PV1 | 4 MP 25x Starlight IR PTZ AI Network Camera |
| | SD6C3425XB-HNR-A-PV1 | 4 MP 25x Starlight IR PTZ AI Network Camera |
| Accessories | DC 24V/2.5A | Power Adapter |
| | PFB303W | Wall Mount Bracket |
| | PFA114 | Mount Adapter |
| | PFB300C | Ceiling Mount Bracket |
| | PFB301C | Ceiling Mount Bracket |
| | PFB303S | Parapet mount Bracket |
| | PFB301S-E | Plane mount Bracket |
| | PFA151 | Corner mount Bracket |
| | PFA150 | Pole Mount Bracket |

Accessories

Included:



DC 24V/2.5A Power Adapter



PFA114 Wall Mount Bracket

Optional:



PFB303W Wall Mount Bracket



PFB300C Ceiling Mount Bracket



PFB301C Ceiling Mount Bracket



PFB303S Parapet Mount Bracket



PFB301S-E Plane mount Bracket

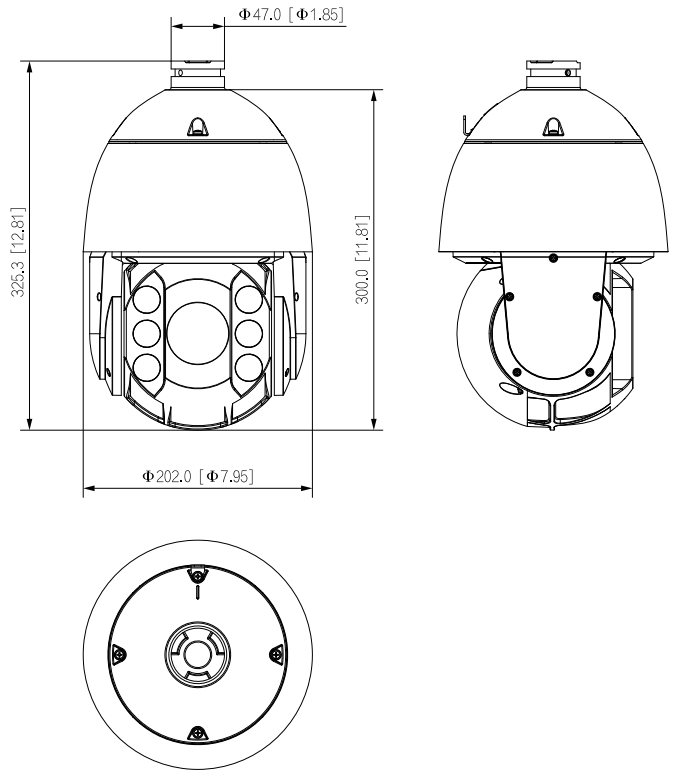


PFA151 Corner Mount Bracket



PFA150
Pole Mount
Bracket

Dimensions (mm[inch])



| | | |
|--|--|--|
| <p>Wall Mount</p> <p>PFA114+PFB303M+PFA120</p> | <p>Ceiling Mount</p> <p>PFA114+PFB300C</p> | <p>Ceiling Mount</p> <p>PFA114+PFB301C</p> |
| <p>Pole Mount(Vertical)</p> <p>PFA114+PFB303M+PFA150</p> | <p>Corner Mount</p> <p>PFA114+PFB303M+PFA151</p> | <p>Pole Mount(horizontal)</p> <p>PFA114+PFB300C+PFA150</p> |
| <p>Plane Mount</p> <p>PFA114+PFB301S-E</p> | <p>Parapet Mount</p> <p>PFA114+PFB303S</p> | |