

## EZIP-KIT/XVR1C04HS-4KL-I/4-HAC-T2A51P/1TB

4CH Smart 1HDD H.265+ 5MP AI Digital Video Security System



### Series Overview

EZIP CVI KIT is a product package including cameras and recorders. They are easy to be installed and connected, which can help customer save more time and human labor. This solution can be widely used in retails, homes and other small and medium-sized enterprises.

### Functions

#### Face Recognition

Face Recognition technology extracts the features of captured faces and compares them with that in face database to recognize the person identity.

\*The Face Recognition is conflicted with SMD Plus and Perimeter Protection.

#### SMD Plus

With intelligent algorithm, Smart Motion Detection technology can categorize the targets that trigger motion detection and filter the motion detection alarm triggered by non-concerned targets to realize effective and accurate alarm.

#### Perimeter Protection

Automatically filters out false alarms caused by animals, rustling leaves, bright lights, etc. Enables system to act secondary recognition for the targets. Improves alarm accuracy.

- H.265+/H.264+/H.265/H.264, high compression rate, ultra-low bit rate.
- 4 × 5 MP IR fixed HDCVI analog eyeball camera.
- 1 × Digital Video Recorder, encoding capability up to 8 MP resolution.
- Encoding Capacity: All channels 4K@(1 fps–7 fps); 6 MP@(1 fps–10 fps); 5 MP@(1 fps–12 fps)
- VGA/HDMI simultaneous video output, maximum resolution of HDMI is 4K.
- Up to 4 channels video stream (analog channel) perimeter protection.
- Up to 4 channels video stream (analog channel) SMD Plus.
- Up to 1 channel video stream (analog channel) human face recognition.
- 5 MP, 1/2.8" CMOS image sensor, low illuminance, high image definition.
- Outputs max. 5 MP@25 fps (16 : 9 video output).
- Built-in IR LED, max. IR distance: 20 m.
- IP67 protection.



Face Recognition



SMD Plus



Perimeter Protection

### Technical Specification

#### Camera

Image Sensor	1/2.7" CMOS
Max. Resolution	2880 (H) × 1620 (V)
Pixel	5MP
Scanning System	Progressive
Electronic Shutter Speed	PAL: 1/25–1/100000 s NTSC: 1/30–1/100000 s
Min. Illumination	0.02 Lux/F2.0, 30IRE, 0 Lux IR on
S/N Ratio	More than 65 dB
Illumination Distance	20 m (66 feet)
Illuminator On/Off Control	Auto;manual

#### Lens

Lens Type	Fixed lens / Fixed iris				
Mount Type	M12				
Focal Length	3.6 mm (2.8 mm Optional)				
Max Aperture	F2.0				
Angle of View	2.8 mm: 125° × 106° × 56° (diagonal × horizontal × vertical) 3.6 mm: 104° × 88° × 46° (diagonal × horizontal × vertical)				
Focus Control	N/A				
Close Focus Distance	2.8 mm: 0.8 m (2.6 ft) 3.6 mm: 1.2 m (3.9 ft)				
DORI distance	Lens	Detect	Observe	Recognize	Identify
	2.8mm	56.0 m (183.7 ft)	22.4 m (73.5 ft)	11.2 m (36.7 ft)	5.6 m (18.4 ft)
	3.6mm	80 m (262.5 ft)	32 m (105.0 ft)	16 m (52.5 ft)	8 m (26.2 ft)

#### Pan / Tilt / Rotation

Pan/Tilt/Rotation	Pan: 0° – 360° Tilt: 0° – 78° Rotation: 0° – 360°
-------------------	---

#### Video

Resolution	5M (2880 × 1620); 4M (2560 × 1440); 1080P (1920 × 1080);960H (960 × 576/960 × 480)
Frame Rate	CVI: PAL:5M@25 fps; 4M@25 fps; 1080P@25 fps NTSC:5M@25 fps; 4M@30 fps; 1080P@30 fps AHD: PAL:4M@25 fps; NTSC:4M@30 fps; TVI: PAL:4M@25 fps; NTSC:4M@30 fps; CVBS: 960H;
Video Output	Video output choices of CVI/TVI/AHD/CVBS by one BNC port
Day/Night	Auto (ICR) / Manual
OSD Menu	Multi-language

BLC Mode	BLC / HLC / DWDR
WDR	DWDR
Gain Control	AGC
Noise Reduction	2D
White Balance	Auto;manual
Smart IR	Yes
Mirror	Off/On
Privacy Masking	Off / On (8 area, rectangle)

#### Certifications

Certifications	CE (EN55032, EN55024, EN50130-4,EN60950-1, EN 62368-1:2014+A11:2017) FCC (CFR 47 FCC Part 15 subpartB, ANSI C63.4-2014)
----------------	--

#### Interface

Audio Interface	N/A
-----------------	-----

#### Electrical

Power Supply	12V DC ±30%
Power Consumption	Max. 3.7W (12V DC, IR on)

#### Environmental

Operating Conditions	–40°C to +60°C (–40°F to +140°F) /Less than 95% RH * Start up should be done at above –40°C (–40°F)
Storage Conditions	–40°C to +60°C (–40°F to +140°F) /Less than 95% RH
Ingress Protection & Vandal Resistance	IP67

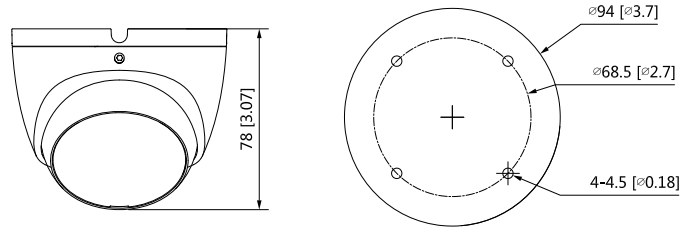
#### Construction

Casing	Aluminium
Dimensions	φ94 mm × 78 mm (φ3.7" × 3.07")
Net Weight	0.27 kg (0.60 lb)
Gross Weight	0.33 kg (0.73 lb)

Technical Specification	
System	
Main Processor	Industrial-grade processor
Operating System	Embedded Linux
Operating Interface	Web; Local GUI
Perimeter Protection	
Perimeter Performance AI by Recorder (Number of Channels)	Advanced Model : 2 channels, 10 IVS for each channel General Model : 4 channels, 10 IVS for each channel
Face Detection	
Face Attributes	Gender; age group; glasses; expressions; face mask; beard
Face Detection Performance of AI by Recorder (Number of Channels)	1 channel (up to 8 face images/s)
Face Recognition	
Face Database Capacity	Up to 10 face databases and 20,000 images.
Face Recognition Performance of AI by Recorder (Number of Channels)	1 channel
SMD Plus	
SMD Plus by Recorder	4 channels: Secondary filtering for human and motor vehicle , reducing false alarms caused by leaves, rain and lighting condition change
Audio and Video	
Analog Camera Input	4 BNC ports, CVI access by default, supports HDCVI/AHD/TVI/CVBS auto-detect
Camera Input	1. CVI: 4K, 6 MP, 5 MP, 4 MP, 1080p@25/30 fps, 720p@50/60 fps, 720p@25/30 fps. 2. TVI: 4K, 5 MP, 4 MP, 3 MP, 1080p@25/30 fps, 720p@25/30 fps. 3. AHD: 4K, 5 MP, 4 MP, 3 MP, 1080p@25/30 fps, 720p@25/30 fps.
IP Camera Input	Up to 8 channels of IPC access 4 IP channels by default + 4 channels (analog channels are converted to IP channels) incoming bandwidth: 64 Mbps, recording bandwidth: 64 Mbps *After IP channels are added beyond the existing channels, the AI Function (IVS, SMD, FACE) will be disabled.
Encoding Capacity	Main stream: All channel 4K@ (1 fps~7 fps); 6MP@ (1 fps~10 fps); 5MP@ (1 fps~12 fps); 4K-N, 4MP, 3MP@ (1 fps~15 fps); 4M-N, 1080p, 720p, 960H, D1, CIF@ (1 fps~25/30 fps); Sub stream: 960H@ (1 fps~15 fps); D1,CIF@ (1 fps~25/30 fps)
Dual-stream	Yes
Video Bit Rate	32 kbps~6144 kbps
Audio Sampling	8 kHz, 16 bit
Audio Bit Rate	64 kbps
Video Output	1 HDMI, 1 VGA VGA: 1920 × 1080, 1280 × 1024, 1280 × 720 HDMI: 3840 × 2160, 1920 × 1080, 1280 × 1024, 1280 × 720
Multi-screen Display	When IP extension mode not enabled: 1/4 When IP extension mode enabled: 1/4/8/9
Third-party Camera Access	ONVIF; Panasonic; Sony; Axis; Arecont; Pelco; Canon; Samsung
Compression Standard	
Video Compression	AI Coding; H.265+; H.265; H.264+; H.264
Audio Compression	G.711a; G.711u; PCM
Network	
Network Protocol	HTTP; HTTPS; TCP/IP; IPv4; RTSP; UDP; SMTP; NTP; DHCP; DNS; DDNS; P2P
Mobile Phone Access	iOS; Android
Interoperability	ONVIF 21.12; CGI Conformant
Browser	Chrome IE9 or later Firefox
Network Mode	Single-address mode
Recording Playback	
Record Mode	General, motion detection; intelligent; alarm; POS
Recording Playback	1/4
Backup Method	USB device and network
Playback Mode	Instant playback, general playback, event playback, tag playback, smart playback (face and motion detection)
Alarm	
General Alarm	Motion detection, video loss, tampering
Anomaly Alarm	No disk, disk error, low space, offline, ip conflict, MAC conflict
Intelligent Alarm	Face detection, face recognition, perimeter protection
Alarm Linkage	Record, snapshot (panoramic), IPC external alarm output, access controller, voice prompt, buzzer, log, preset, email
Ports	
Audio Input	1-channel RCA 4-channel BNC (Coaxial Audio)
Audio Output	1-channel RCA
Two-way Talk	Yes (share the same audio input with the first channel)
HDD Interface	1 SATA port, up to 16 TB. The maximum HDD capacity varies with environment temperature.
RS-485	1 port, for PTZ control
USB	2 USB ports (USB 2.0)
HDMI	1
VGA	1
Network Port	1 (10/100 Mbps Ethernet port, RJ-45)
General	
Power Supply	12 VDC, 2 A
Power Consumption	<7 W
Net Weight	0.53 kg (1.17 lb)
Gross Weight	1.07 kg (2.36 lb)
Product Dimensions	260.0 mm × 237.9 mm × 47.6 mm (10.24" × 9.37" × 1.87") (W × D × H)

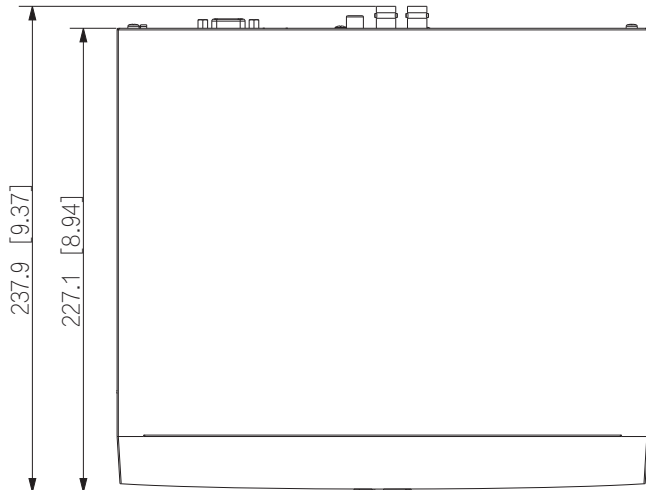
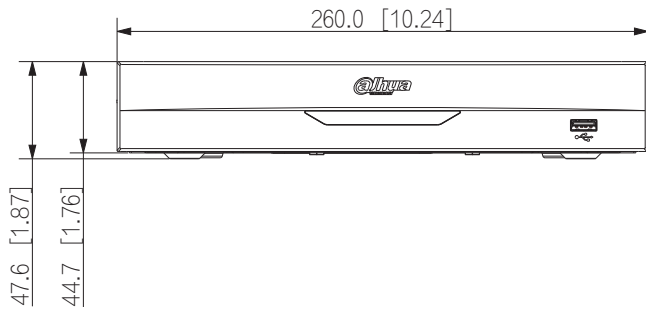
# CVI KIT | EZIP-KIT/XVR1C04HS-4KL-I/4-HAC-T2A51P/1TB

Packaging Dimensions	333.0 mm × 315.0 mm × 89.0 mm (13.11" × 12.40" × 3.50") (W× D × H)
Operating Temperature	-10 °C to +55 °C (+14 °F to +131 °F)
Operating Humidity	0%–90% (RH)
Installation	Desktop
Certifications	FCC: Part 15 Subpart B CE: CE-LVD: EN 60950-1/IEC 60950-1 CE-EMC: EN 61000-3-2; EN 61000-3-3; EN 55032; EN50130; EN 55024

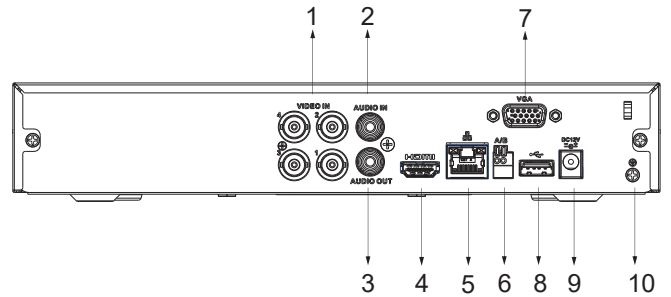


Ordering Information		
Type	Model	Description
HDCVI KIT	EZIP-KIT/ XVR1C04HS-4KL-I/4- HAC-T2A51P/1TB	4CH Smart 1HDD H.265+ 5MP AI Digital Video Security System

## Dimensions (mm/inch)



## Panels



- 1 VIDEO IN
- 2 AUDIO IN, RCA Connector
- 3 AUDIO OUT, RCA Connector
- 4 HDMI Port
- 5 Network Port
- 6 RS-485 Port
- 7 VGA Port
- 8 USB Port
- 9 Power Input
- 10 Ground

## What's In the Box?

