

# HTI-UC325

## 1080P USB Camera



### Product Overview

HTI-UC325 is a 1080P HD USB camera that provides a professional-quality video and audio experience for users. It not only equips with best-in-class camera whose horizontal field of view is up to 84.5°, but also integrates built-in omnidirectional microphone that can clearly pick up audio from up to 3 meters away. Moreover, it supports auto focus, ensuring people can be seen clearly in all the video meetings. HTI-UC325 can work with mainstream video conferencing platforms, providing high compatibility and seamless integration for people in both business and life scenarios.

### Technical Specification

#### Camera

Sensor Type	1/2.8 inch CMOS, 2M pixel
Video Format	1080p@30fps/25fps/20fps/15fps/10fps/5fps, 720p@30fps/25fps/20fps/15fps/10fps/5fps, 480P@30fps/25fps/20fps/15fps/10fps/5fps, 320x240p@30fps/25fps/20fps/15fps/10fps/5fps
Compression	H.265/H.264/MJPEG/YUV
UVC Protocol	UVC1.0/1.1/1.5
Focal Length	3.0 mm±5%
Focus	Auto
Horizontal Field of View	84.5°
Exposure	Auto, BLC/HLC
Shutter Speed	1/30s ~ 1/10000s
Digital Noise Reduction	2D & 3D Digital Noise Reduction
SNR	≥38dB

- 1080P FHD Image Sensor

Support multiple resolutions like 1080p (Full HD) @ 30/25 fps and 720p (HD) @30/25 fps to best support the video quality, and it's horizontal field of view can be up to 84.5°.

- Unified Interface USB 2.0

Support plug and play, provides power supply, video and audio functions.

- Built-in Microphone

Omnidirectional built-in microphone with 3 meters pickup distance, provides business-class audio performance.

- Low Light Performance

The ultra-high SNR CMOS image sensor can effectively reduce image noise at low light conditions. Meanwhile, 2D and 3D noise reduction algorithms are employed to sharply reduce image noise. So the images keep clean and clear even under ultra-low light conditions.

- Easy Installation

Free to mount the camera on top of screen or on desktop.

White Balance	Auto
---------------	------

#### Microphone

Position	Built-in
Pickup Distance	Omnidirectional, Pickup Distance Up to 3m

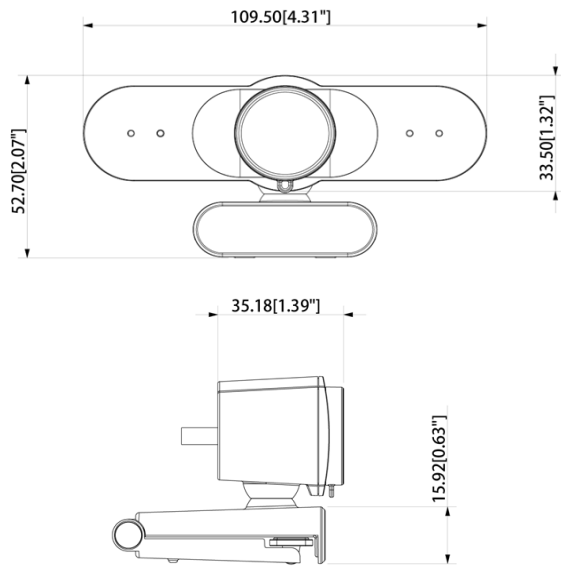
#### General

Video Interface	1 * USB2.0
Working Status Indicator	Power-on/Power-off
Privacy Shade	Support
Power Supply	USB 5V
Input Current	200mA
Power Consumption	Max 1W
Working Temperature	0°~+60°
Working Humidity	< 95% (Noncondensing)
MTBF	30000H

#### System Requirements

OS	Windows® 7, Windows 8.1, Windows 10 or Higher macOS™ 10.10 or Higher Google™ Chromebook™ Version 29.0.1547.70 or Higher Linu × (UVC Protocol Required)
Hardware	2.4 GHz Intel® Core 2 Duo CPU or Higher 2 GB Memory or Higher USB 2.0 Interface

Dimensions (mm[inch])



Installation

